



After-Sales

Service

Parts

Manual

version 2019

Preface

The manual contains the exploded view, code, name and quantity of the parts of the parts of Kaiyun electric pickup truck, and provides inquiries and references for after-sales maintenance service and accessories order of dealers and maintenance service mesh point, The after-sale service technician and accessories commissioner of dealer must understand and be familiar with the information of the vehicle parts in this manual.

1. The vehicle is divided into five parts of the body, chassis, electronics and electrical, interior and exterior trim, doors and hoods, each part is divided into a number of assembly and sub assembly in the manual.
2. Each page is divided into two parts: the exploded view on the left side and the part information column on the right side, The part number in the right column is corresponded with the sequence number in the exploded view.
3. If in the right column there is no the relative content of the sequence number of the left exploded view, It shows that this component is welded or bonded together with other components and cannot be provided separately.
4. It is specified assembly part if there is no part code before the part name in the right column, which contains the several sub-parts in the follows.
5. The color must be marked when ordering with the color components like the front fender, etc.
6. The suffixes of the standard parts such as the bolts are the process mode of surface coating, F6 represents the primary dacromet, F60 represents the black dacromet.

If there is any question or consultation on the parts, Please call +86 319 519 5599 or Send mail to aftersales@kaiyunmotors.com。

Customer Service department of Kaiyun Motors

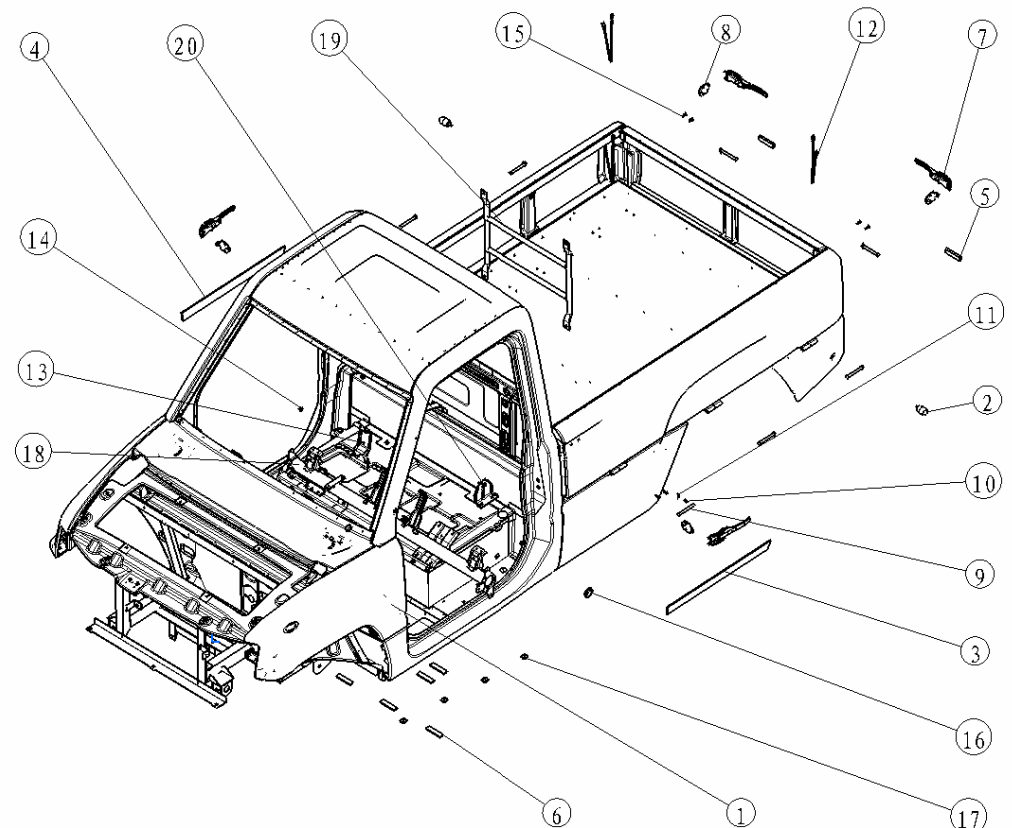
Jan. 2019

Content

I Body System	1
1 JC035306020AC00 Instrument panel crossbeam.....	2
2 JC035601020AC00 Rear fence.....	3
II Chassis System	4
1 JC032901010AA00 Front suspension system.....	5
2 JC032911010AA00 Rear suspension system.....	6
3 JC033100010AA00 Driving system.....	7
4 JC03400010BA00 Left rudder steering.....	8
5 JC033500010CA00 Brake system.....	9
III Electronics and Electrical System	15
1 JC032101100AA00 Battery.....	16
2 JC032107100AA00 60V Charger.....	17
3 JC032104100AA00 Controller (3kW).....	18
4 JC032149400AA00 Electronic acceleration pedal.....	19
5 JC033820100AA00 Instrument.....	20
6 JC032103100AA00 Motor (3kW).....	21
7 JC034000100CA00 Harness.....	22
8 JC038108100AA00 Warm air blower.....	25
9 JC037911100AA00 Speaker.....	26
10 JC037903100AA00 Antenna.....	27
11 JC033736100AA00 Power main switch.....	28
12 C325100V01 Headlight.....	29
13 JC034133100AA00 Rear grouped lamp.....	30
14 JC033704100AA00 Ignition lock.....	31
15 JC033774100AA00 Combined switch.....	32
16 JC033721100AA00 Horn.....	33
17 JC033741100AA00 Wiper motor.....	34

18	JC033820300AA00 Vehicle terminal module	36
IV	Internal And External Accessories System	37
1	C332200 Inner rearview mirror.....	38
2	C334130 Front bumper.....	39
3	JC033921010DA00 Decorative sign.....	40
4	JC035306010DA00 Instrument panel.....	41
5	JC035306020DA00 Air outlet.....	42
6	JC035702010DA00 Ceiling.....	43
7	JC035810010DA00 Seatbelt	44
8	JC036102010DA00 Front door interior panel-L.....	45
9	JC036302010DA00 Waterproof membrane.....	46
10	JC036800010DA00 Main seat	47
11	JC038215010DA00 Roof armrest.....	48
12	JC038204010DA00 Sunshade	49
13	JC038218010DA00 Front container	50
V	Doors and Hoods System	51
1	JC038402220AA00 Front trunk hood lock.....	52
2	JC038402230AA00 Front trunk hood support rod	53
3	JC036103010AA00 Glass	54
4	JC036106110AA00 Hinge.....	55
5	JC036107010AA00 Sealant strip	56
6	JC036104010AA00 Left door manual lift	57
7	JC036105010DA00 Door lock	58
8	JC038202200DA00 Outer rearview mirror	59
9	JC036101150AA00 Guide rail.....	60

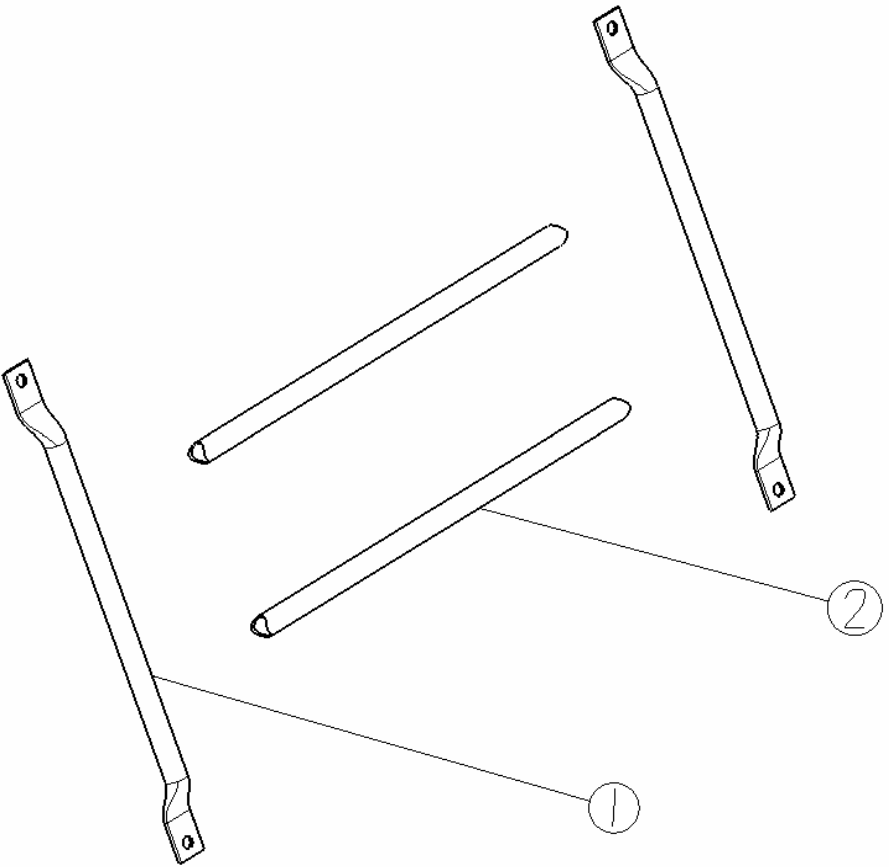
I Body System

Exploded View	No.	Part Code	Part Name	Quantity
	1	JC035001010AC00	Body-in-white	1
	2	JC032801789AC00	Crash stop	2
	3	JC032801813AC00	Left front skirt	1
	4	JC032801814AC00	Right front skirt	1
	5	JC032801817AC00	10mm 3M strip	2
	6	JC032801821AC00	5mm 3M strip	5
	7	JC038500411AC00	Container handle	4
	8	JC038500412AC00	Container Hand-in-Hand Hook	4
	9	JC038500423AC00	Container hinge shaft	8
	10	JC038500424AC00	Container hinge washer	8
	11	JC038500425AC00	Container hinge open pin	8
	12	JC038500431AC00	Container lanyard	2
	13	JC035301202AC00	Brake pedal mounting plate	1
	14	Q32008F3	Hexagonal flange nut M8	3
	15	Q2140616F60	Cross pan bolt	8
	16	JC035130611AC00	Rubber block $\Phi 30$	7
	17	JC035130613AC00	Rubber block $\Phi 15$	10
	18	JC035306020AC00	Instrument panel crossbeam	1
	19	JC035601020AC00	Rear fence	1
	20	JC035120195AC00	Lower mounting plate of reel	1

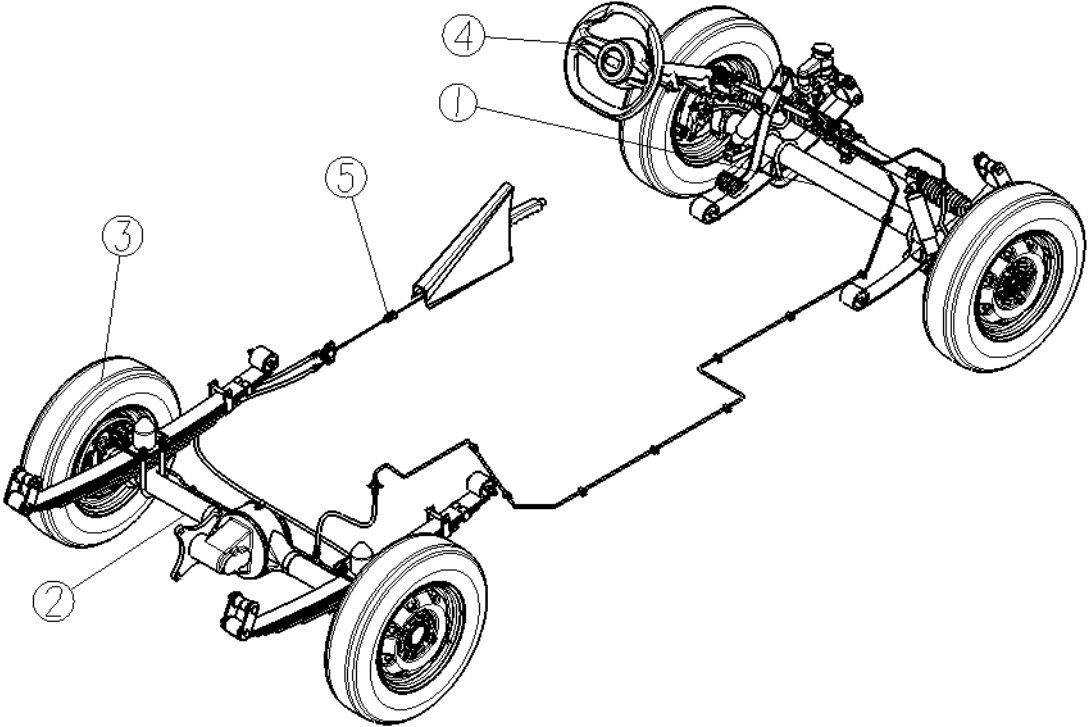
1 JC035306020AC00 Instrument panel crossbeam

Exploded View	No.	Part Code	Part Name	Quantity
	1	JC035306201AC00	Tube girder body	1
	2	JC035306203AC00	Steering knuckle mounting bracket	1
	3	JC035306301AC00	Left connecting plate of tube girder	1
	4	JC035306302AC00	Right connecting plate of tube girder	1

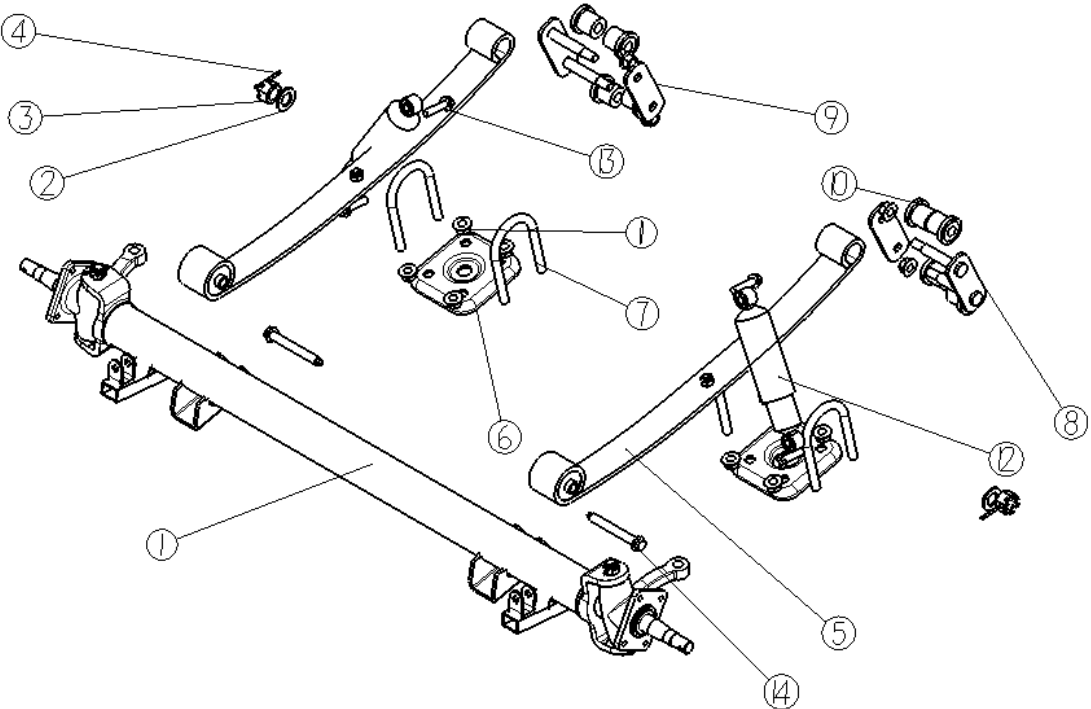
2 JC035601020AC00 Rear fence

Exploded View	No.	Part Code	Part Name	Quantity
	1	JC035601221AC00	Rear fence longitudinal beam	2
	2	JC035601223AC00	Rear fence beam	2

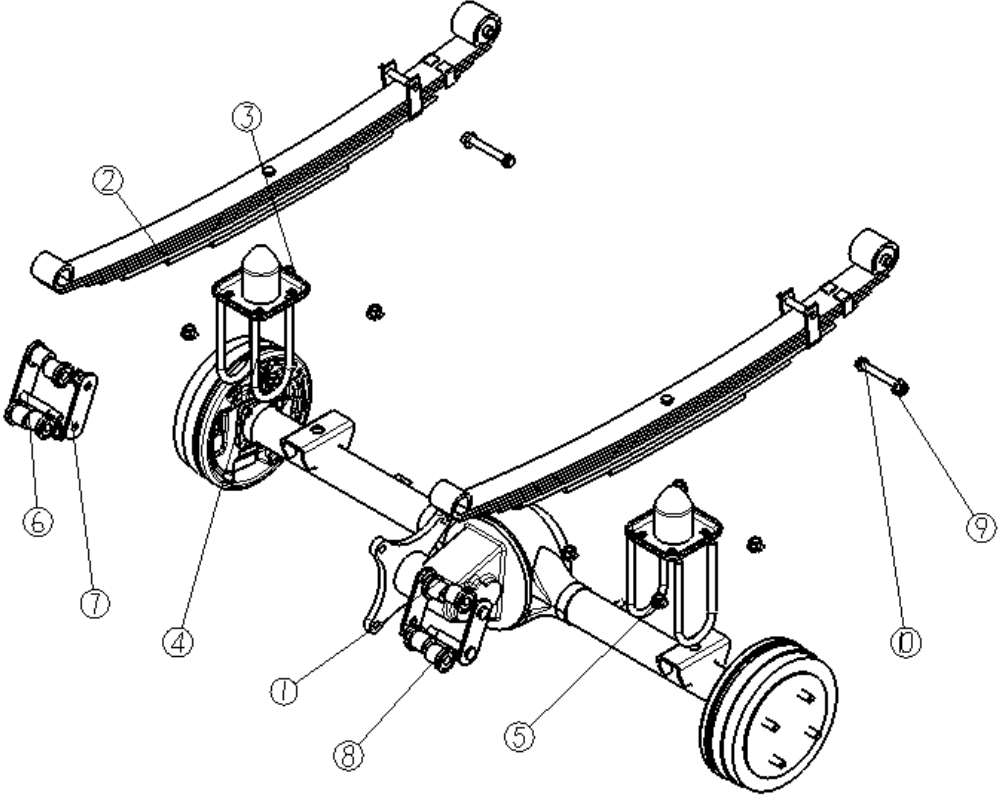
II Chassis System

Exploded View	No.	Part Code	Part Name	Quantity
	1	JC032901010AA00	Front suspension system	1
	2	JC032911010AA00	Rear suspension system	1
	3	JC033100010AA00	Driving system	1
	4	JC03400010BA00	Left rudder steering system	1
	5	JC033500010CA00	Brake system	1

1 JC032901010AA00 Front suspension system

Exploded View	No.	Part Code	Part Name	Quantity
	1	JC032300100AA00	Front axle	1
	2	Q40120	Flat washer	2
	3	Q387B18T2F3	Hexagonal slotted thin nut-fine teeth-M18X1.5	2
	4	Q5004036	Open pin	2
	5	JC032902110AA00	Front leaf spring	2
	6	JC032902111AA00	Front leaf spring disc	2
	7	JC032902112AA00	Front U-bolt	4
	8	JC032902120AA00	Leaf spring lug	2
	9	JC032902121AA00	Leaf spring lug connecting plate	2
	10	JC032902122AA00	Leaf spring lug bushing	8
	11	Q32312T13F6	Hexagonal flange nut M12X1.25	12
	12	JC032905100AA00	Front absorber	2
	13	Q1841040T1F6	Hexagonal flange bolt M10X1.5	4
	14	YFQ1851295TF6	Hexagonal flange guide bolt M12X1.25	2

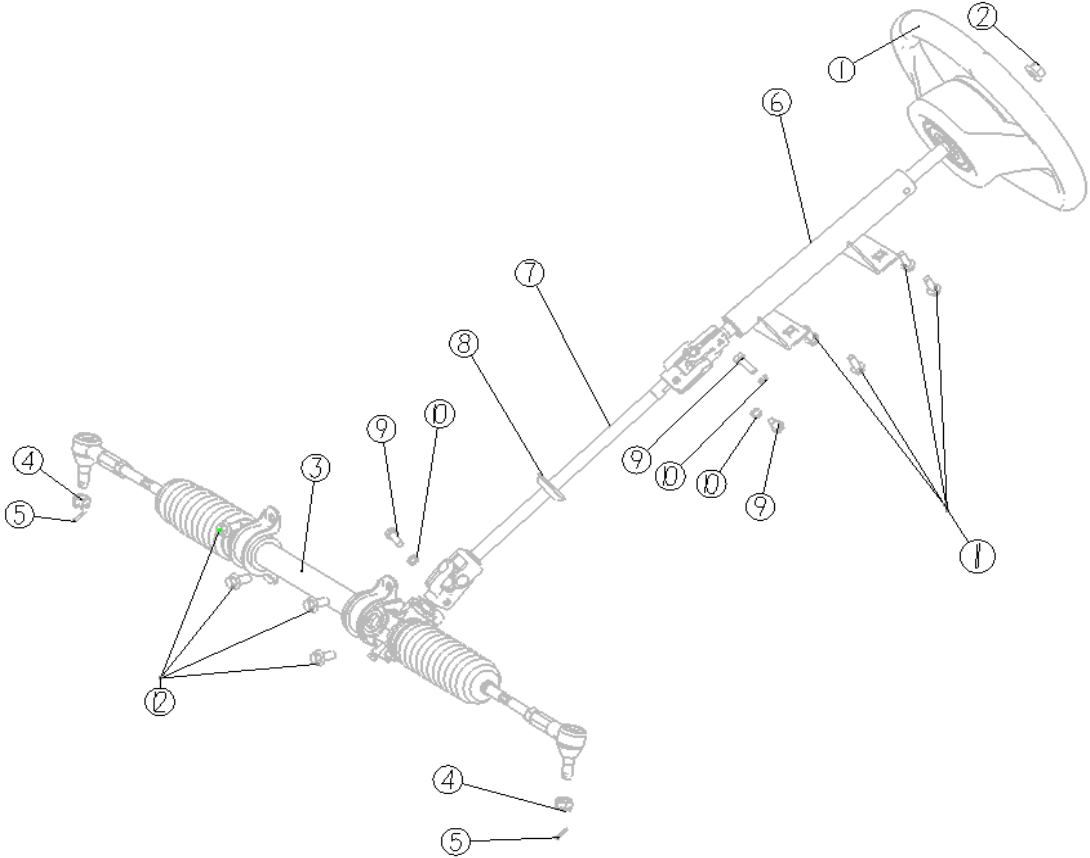
2 JC032911010AA00 Rear suspension system

Exploded View	No	Part Code	Part Name	Quantity
	1	JC032400100AA00	Rear axle plus brake	1
	2	JC032912110AA00	Rear leaf spring	2
	3	JC032912111AA00	Rear leaf spring disc	2
	4	JC032912112AA00	Rear U-bolt	4
	5	Q32312T13F6	Hexagonal flange nut M12X1.25	8
	6	JC032902120AA00	Leaf spring lug	2
	7	JC032902121AA00	Leaf spring lug connecting plate	2
	8	JC032902122AA00	Leaf spring lug bushing	8
	9	Q32312T13F6	Hexagonal flange nut M12X1.25	6
	10	YFQ1851295TF6	Hexagonal flange guide bolt M12X1.25	2

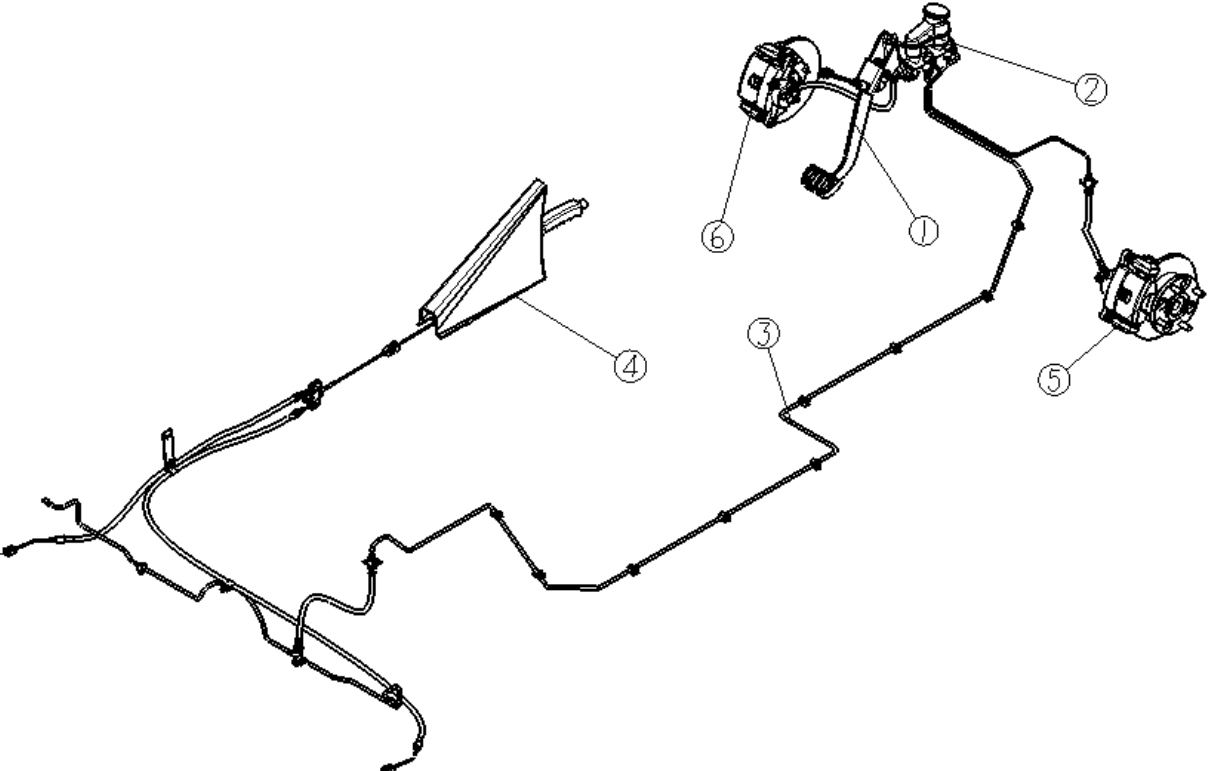
3 JC033100010AA00 Driving system

Exploded View	No	Part Code	Part Name	Quantity
		JC033100100AA00	Wheel	4
	1	JC033106101BA00	Tire	4
	2	JC0331011010AA00	Wheel hub	4
	3	TR414	Cycle valve	4
	4	Q30612T13F6	Wheel nut M12X1.25	16

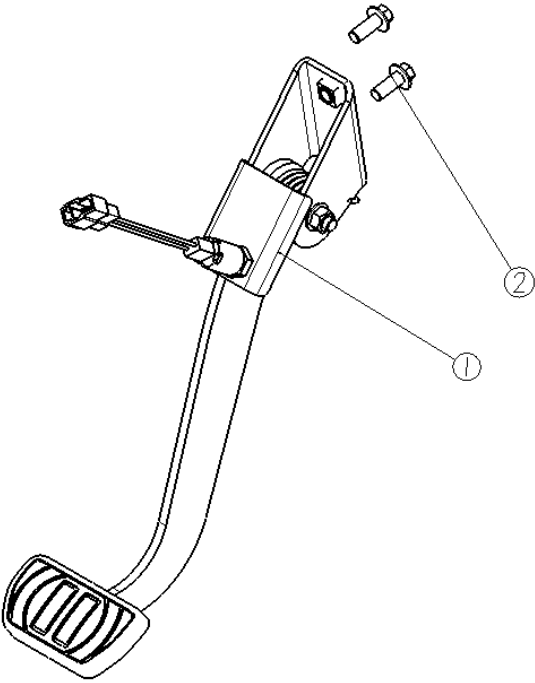
4 JC03400010BA00 Left rudder steering

Exploded View	No.	Part Code	Part Name	Quantity
	1	C313210	Steering wheel	1
	2	Q32312T2F3	Hexagon flange nut M12X1.25	1
	3	JC033401010AA00	Left rudder (front) steering gear with tie rod	1
	4	Q387B12	Hexagon slotted thin nut - fine tooth M12X1.25	2
	5	Q5003225	Open pin - Φ 3.2X25	2
	6	JC033404110AA00	Mechanical steering string	1
	7	JC033404120AA00	Steering drive axle	1
	8	JC033412011AA00	Dust cover for steering drive axle	1
	9	Q150B0825TF2	Hexagon headed bolt -M8	3
	10	Q40308F2	Spring washer -M8	3
	11	Q1840820F3	Hexagon flange bolt -M8X20	4
	12	Q1841020TF3	Hexagon flange bolt -M10X20	4

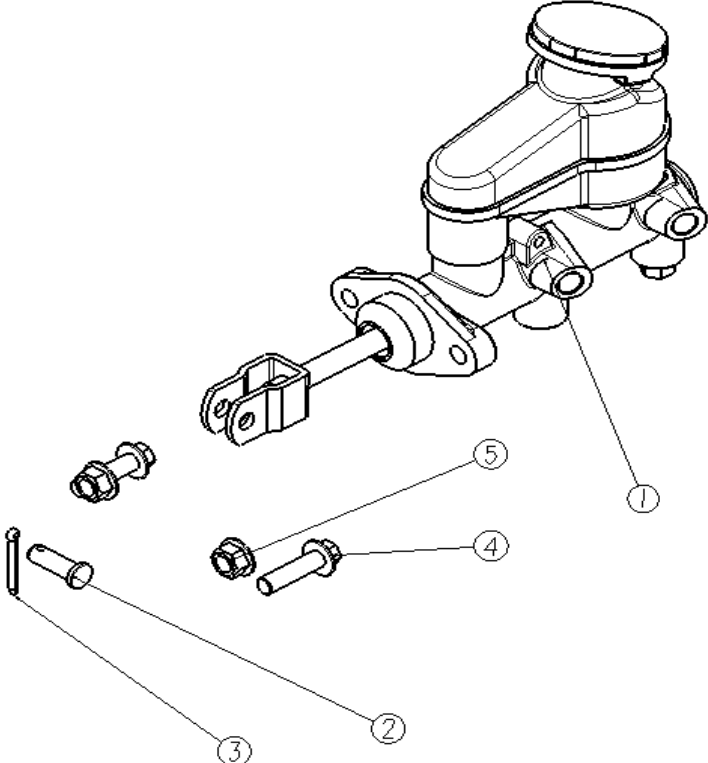
5 JC033500010CA00 Brake system

Exploded View	No.	Part Code	Part Name	Quantity
	1	JC033504010AA0 0	Driving brake control	1
	2	JC033505010CA0 0	Brake master pump	1
	3	JC033506010CA0 0	Brake pipeline	1
	4	JC033508010CA0 0	Parking brake control	1
	5	JC033501010AA0 0	Left front brake	1
	6	JC033501020AA0 0	Right front brake	1

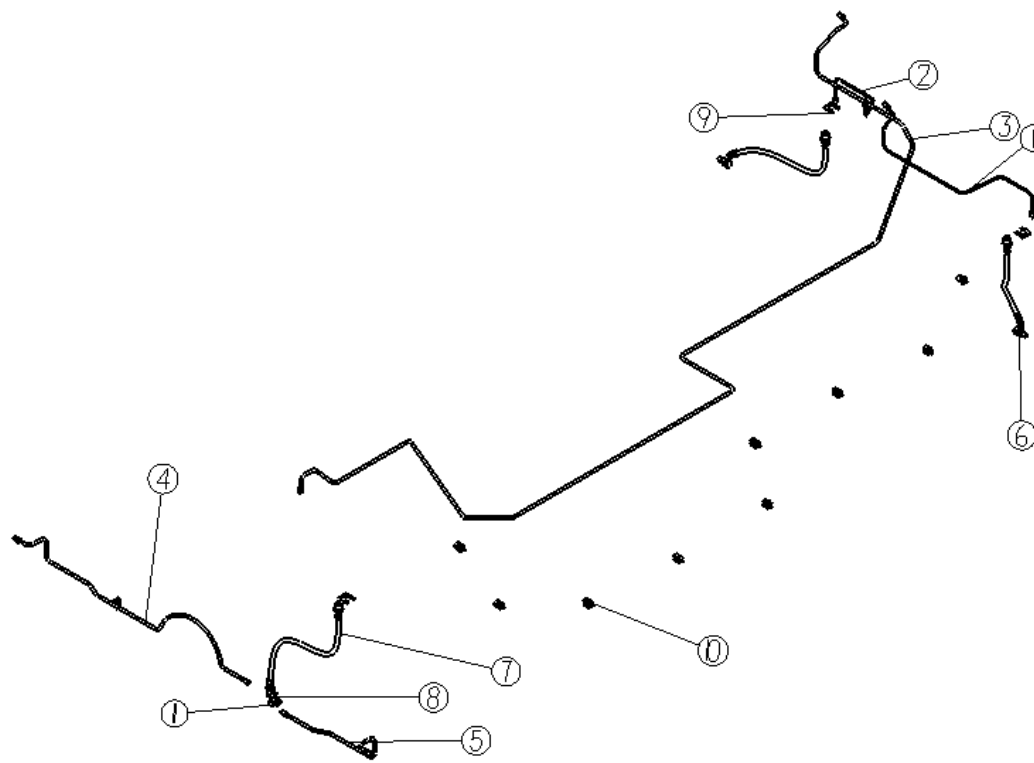
5.1 JC033504010AA00 Driving brake control

Exploded View	No	Part Code	Part Name	Quantity	
	1	HC033504100AA00	Brake pedal	1	
	2	Q1840820F3	Hexagon flange bolt -M8-20	2	

5.2 JC033505010CA00 Brake master pump

Exploded View	No.	Part Code	Part Name	Quantity
	1	JC033505100CA00	Brake master pump module	1
	2	Q510082420	Pin roll	1
	3	Q5003225	Cotter pin	1
	4	Q1840830F3	Hexagon flange bolt -M8-30	2
	5	Q32008F3	Hexagon flange nut M8	2

5.3 JC033506010CA00 Brake pipeline

Exploded View	No.	Part Code	Part Name	Quantity
	1	JC033506110CA00	Brake master pump front chamber tubing (left)	1
	2	JC033506120CA00	Brake master pump front chamber tubing (right)	1
	3	JC033506130CA00	Brake master pump rear chamber tubing	1
	4	JC033506170AA00	Rear brake tubing (left)	1
	5	JC033506180AA00	Rear brake tubing (right)	1
	6	JC033561110AA00	Front brake hose	2
	7	JC033561130AA00	Rear brake hose	1
	8	JC033506011AA00	Tee	1
	9	JC033506013AA00	Locking plate	3
	10	JC033506015AA00	Plastic clip	10
	11	Q340B10T2F3	Hexagon nut M10x1.5	1

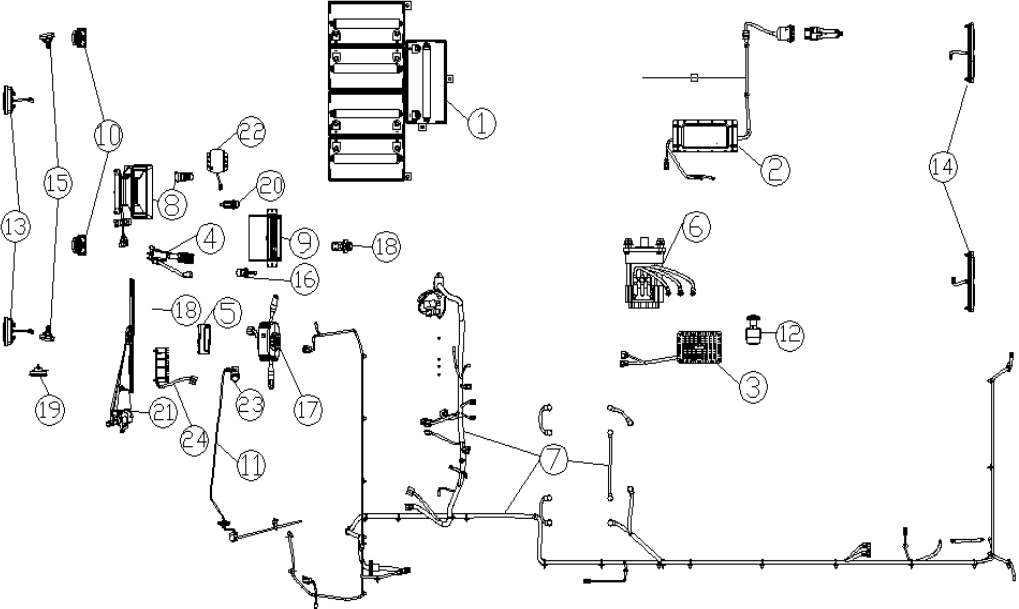
5.4 JC033508010CA00 Parking brake control

Exploded View	No.	Part Code	Part Name	Quantity
	1	C312410	Hand brake handle	1
	2	JC033508110CA00	Handbrake cable (1)	1
	3	JC033508130CA00	Handbrake cable (2)	1
	4	JC033508140CA00	Handbrake cable (3)	1
	5	C312424	Handbrake dust cover	1
	6	JC033508011CA00	Pull wire bracket	1
	7	Q68610F4	Single tube clip	3
	8	Q1840820F3	Hexagonal flange bolt -M8-20	2
	9	Q1840620F60	Hexagonal flange bolt -M6-20	1
	10	Q32006F6	Hexagon flange nut M6	2
	11	Q39748202F60	A-type reed nut	4
	12	Q2734816F60	Self-tapping screw with large semicircular head with cross groove	4

5.5 JC033501010AA00 Left front brake

Exploded View	No.	Part Code	Part Name	Quantity	
	1	JC033501110AA00	Left front brake caliper	1	
	2	JC033501120AA00	Front brake disc with hub unit	1	
	3	JC033501111AA00	Caliper bracket	1	
	4	Q151B1225F31	Hexagon headed bolt -M12X1.25	2	
	5	Q40312F31	Spring washer	2	
	6	Q218B0820F31	Inside hexagonal cylindrical head bolt -M8-20	4	
	7	Q40308F31	Spring washer	4	
	JC033501020AA00 Right front brake				
	1	JC033501210AA00	Right front brake caliper	1	
	2	JC033501120AA00	Front brake disc with hub unit	1	
	3	JC033501111AA00	Caliper bracket	1	
	4	Q151B1225F31	Hexagon headed bolt -M12X1.25	2	
	5	Q40312F31	Spring washer	2	
	6	Q218B0820F31	Inside hexagonal cylindrical head bolt -M8-20	4	
7	Q40308F31	Spring washer	4		

III Electronics and Electrical System

Exploded View	No.	Part Code	Part Name	Quantity
	1	JC032101100AA00	Battery (100AH)	1
	2	JC032107100AA00	60V Charger	1
	3	JC032104100AA00	Controller (3kW)	1
	4	JC032149400AA00	Electronic acceleration pedal	1
	5	JC033820100AA00	Instrument	1
	6	JC032103100AA00	Motor (3kW)	1
	7	JC034000100CA00	Harness	1
	8	JC038108100AA00	warm air blower	1
	9	JC037901100AA00	Player	1
	10	JC037911100AA00	Speaker	1
	11	JC037903100AA00	Antenna	1
	12	JC033736100AA00	Power main switch	1
	13	C325100V01	Headlight	1
	14	JC034133100AA00	Rear grouped lamp	1
	15	JC034111100AA00	Steering light	1
	16	JC033704100AA00	Ignition lock	1
	17	JC033774100AA00	Combined switch	1
	18	JC033781100AA00	Gear switch	1
	19	JC033721100AA00	Horn	1
	20	JC033725100AA00	Cigarette lighter base	1
	21	JC033741100AA00	Wiper motor	1
	22	JC033820300AA00	Vehicle terminal module	1
	23	JC033725200AA00	USB interface	1

1 JC032101100AA00 Battery

Exploded View	No.	Part Code	Part Name	Quantity
<p>The diagram illustrates the assembly of five batteries (1) into a fixed bracket (3). The batteries are arranged in two rows. The top row has two batteries, and the bottom row has three. The fixed bracket (3) is positioned above the batteries. Hexagonal combined bolts (2) are used to secure the bracket to the batteries. Hexagonal flange bolts (4) are used to secure the bracket to the battery terminals.</p>	1	JC032101101AA00	Battery (100AH)	5
	2	Q1460816	Hexagonal combined bolt -M8	10
	3	JC032101102AA00	Battery fixed bracket	4
	4	Q1840616F6	Hexagonal flange bolt -M6	4

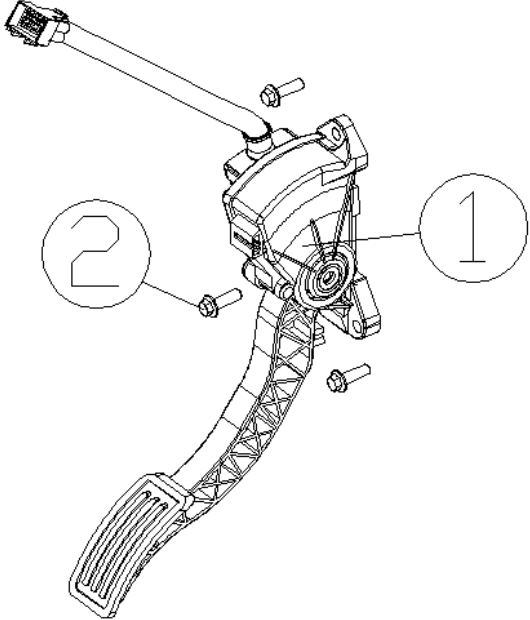
2 JC032107100AA00 60V Charger

Exploded View	No.	Part Code	Part Name	Quantity
	1	JC032107101AA00	60V Charger	1
	2	Q1840616F6	Hexagonal flange bolt -M6	4
	3	JC032107103AA00	Charging interface	1
	4	JC032107104AA00	Charging gun	1
	5	Q1840516F6	Hexagonal flange bolt -M5	4

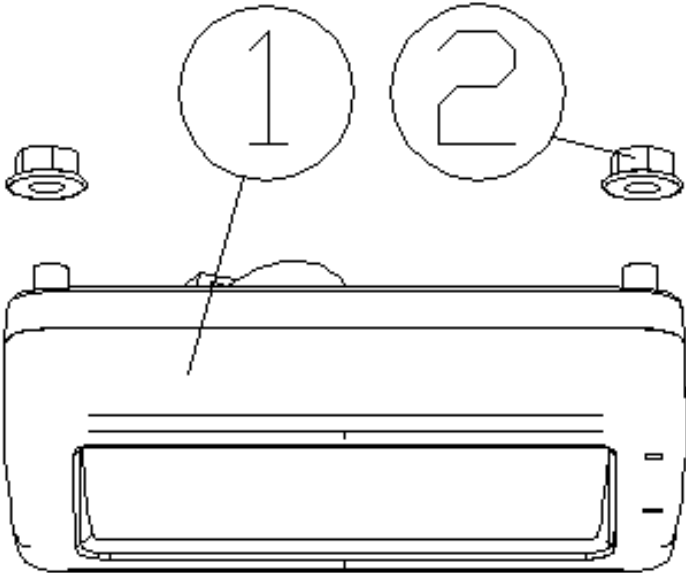
3 JC032104100AA00 Controller (3kW)

Exploded View	No.	Part Code	Part Name	Quantity	
	1	JC032104101AA00	Controller (3kW)	1	
	2	Q1840630F6	Hexagonal flange bolt -M6	4	

4 JC032149400AA00 Electronic acceleration pedal

Exploded View	No.	Part Code	Part Name	Quantity
	1	JC032149401AA00	Electronic acceleration pedal	1
	2	Q1840620F60	Hexagonal flange bolt-M6	3

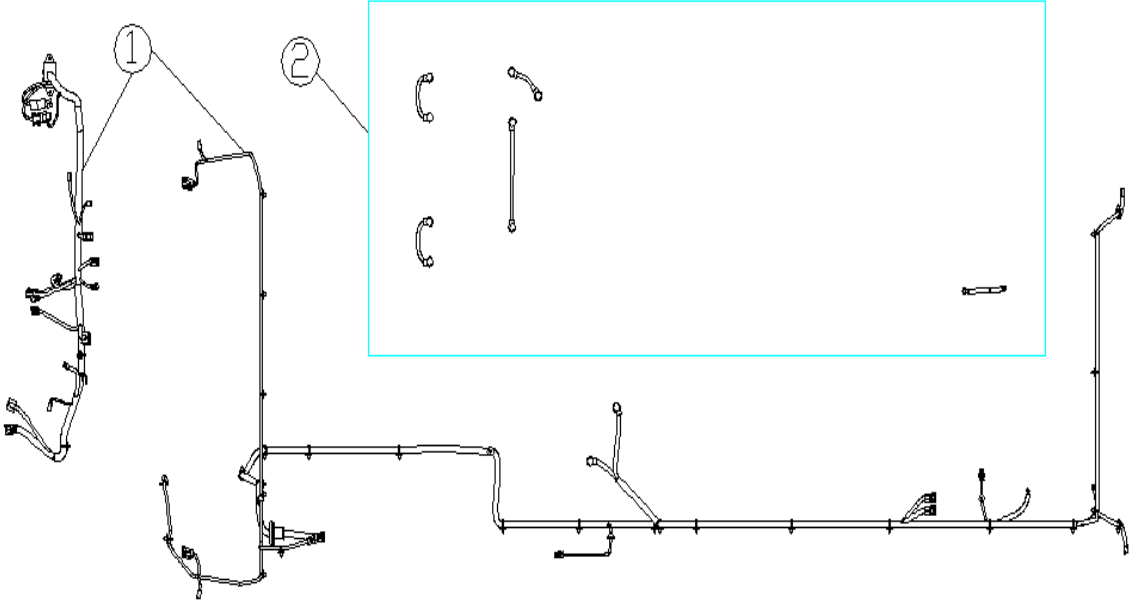
5 JC033820100AA00 Instrument

Exploded View	No.	Part Code	Part Name	Quantity
	1	JC033820101AA00	Instrument (60V)	1
	2	Q32006F6	Hexagon flange nut -M6	2

6 JC032103100AA00 Motor (3kW)

Exploded View	No.	Part Code	Part Name	Quantity
	1	JC032103101AA00	Motor (3kW)	1
	2	Q1851250TF6	Hexagonal flange bolt -M12	4
	3	Q32312T13F6	Hexagonal flange bolt -M12	4
	4	JC032103102AA00	Motor three-phase line -U	1
	5	JC032103103AA00	Motor three-phase line -V	1
	6	JC032103104AA00	Motor three-phase line-W	1

7 JC034000100CA00 Harness

Exploded View	No.	Part Code	Part Name	Quantity
	1	JC034002100CA00	Main harness	1
	2	JC032105100AA00	Power battery connection harness	1

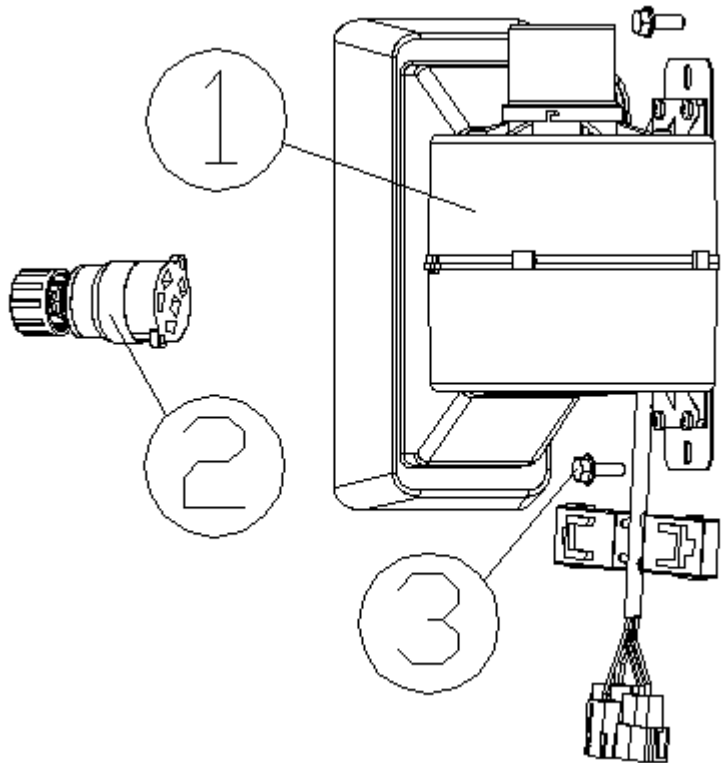
7.1 JC034002100CA00 Main harness

Exploded View	No.	Part Code	Part Name	Quantity
	1	JC034002101CA00	Main harness	1
	2	JC034003101CA00	Instrumentation wiring harness	4
	3	Q2140516F60	Cross grooved disc head screw	4

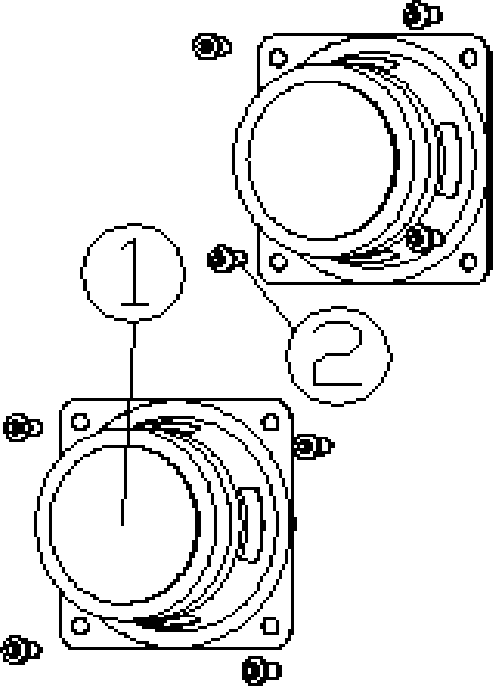
7.2 JC032105100AA00 Power battery connection harness

Exploded View	No.	Part Code	Part Name	Quantity
	1	JC032105101AA00	Battery connection harness (1)	3
	2	JC032105102AA00	Battery connection harness (2)	1
	3	JC032105103AA00	Battery connection harness (3)	1
	4	HC032123101AA00	DC-DC (300W)	1
	5	Q2140516F60	Cross grooved disc head screw	4

8 JC038108100AA00 Warm air blower

Exploded View	No.	Part Code	Part Name	Quantity
	1	JC038108101AA00	Warm air blower	1
	2	JC038108102AA00	Warm air blower switch	1
	3	Q1840616F3	Hexagonal flange bolt -M6	2

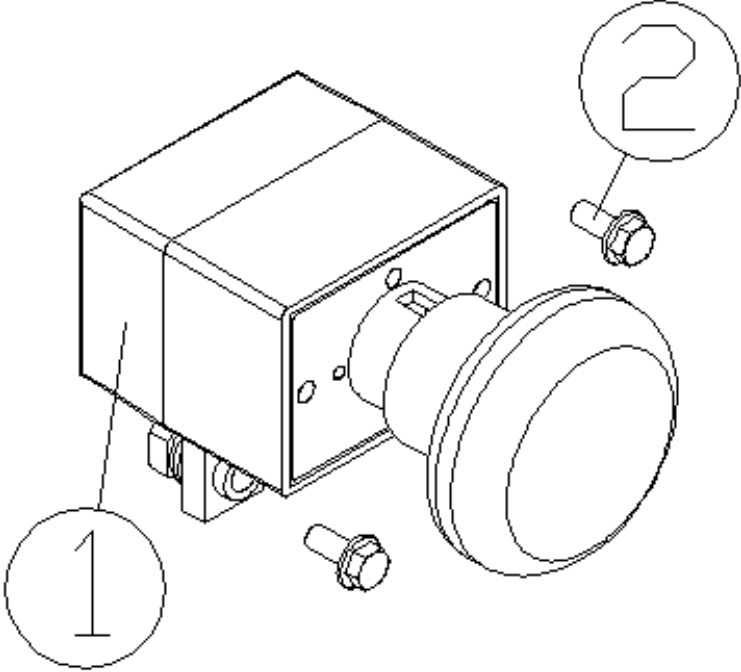
9 JC037911100AA00 Speaker

Exploded View	No.	Part Code	Part Name	Quantity
	1	JC037911101AA00	Speaker	2
	2	Q2714213F3	Cross grooved disc head screw	8

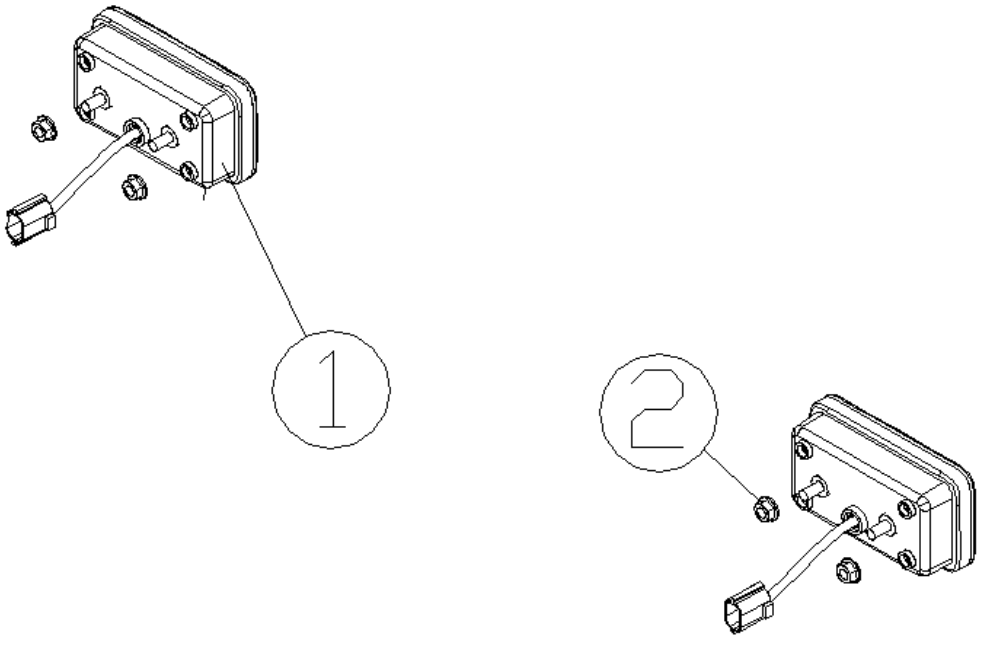
10 JC037903100AA00 Antenna

Exploded View	No.	Part Code	Part Name	Quantity
	1	JC037903101AA00	Antenna	1
	2	JC037903102AA00	Antenna stand	1
	3	JC037903103AA00	Over line rubber sleeve	1
	4	Q2713516F60		2

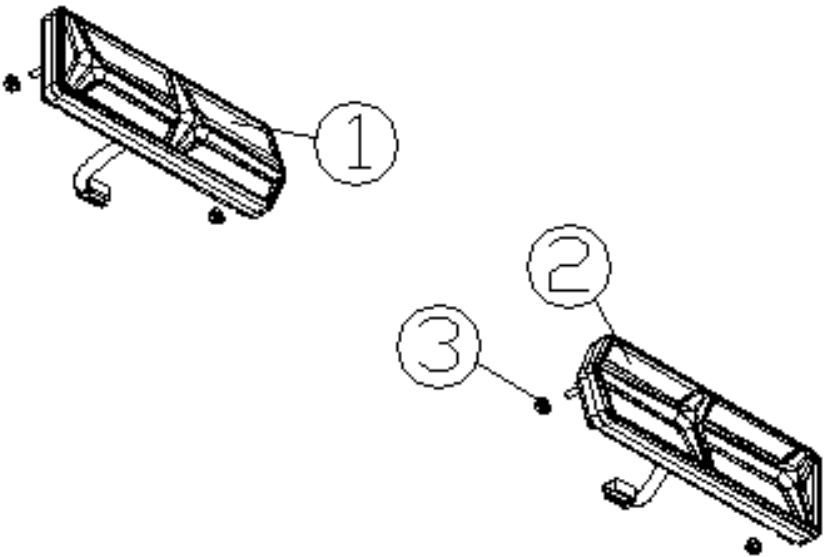
11 JC033736100AA00 Power main switch

Exploded View	No.	Part Code	Part Name	Quantity
	1	JC033736101AA00	Power main switch	1
	2	Q1840512F6	Hexagonal flange bolt -M5	2

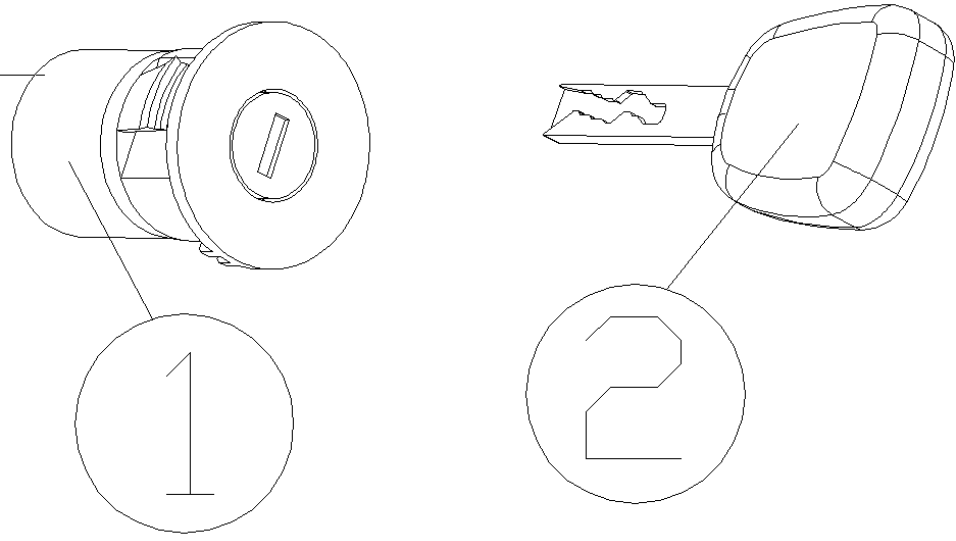
12 C325100V01 Headlight

Exploded View	No.	Part Code	Part Name	Quantity	
	1	C325110V01	Headlight	2	
	2	Q32006F6	Hexagonal flange nut -M6	4	

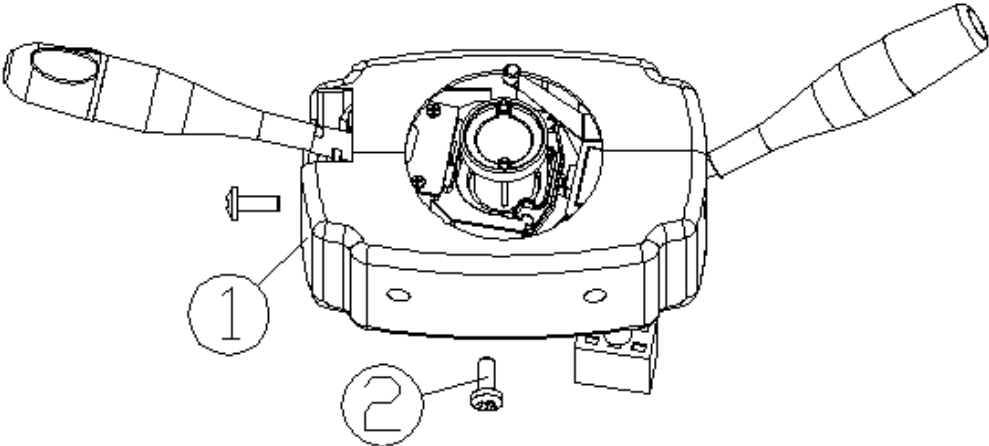
13 JC034133100AA00 Rear grouped lamp

Exploded View	No.	Part Code	Part Name	Quantity
	1	JC034133101AA00	Left rear grouped lamp	1
	2	JC034133102AA00	Right rear grouped lamp	1
	3	Q32005F6	Hexagonal flange nut -M5	4

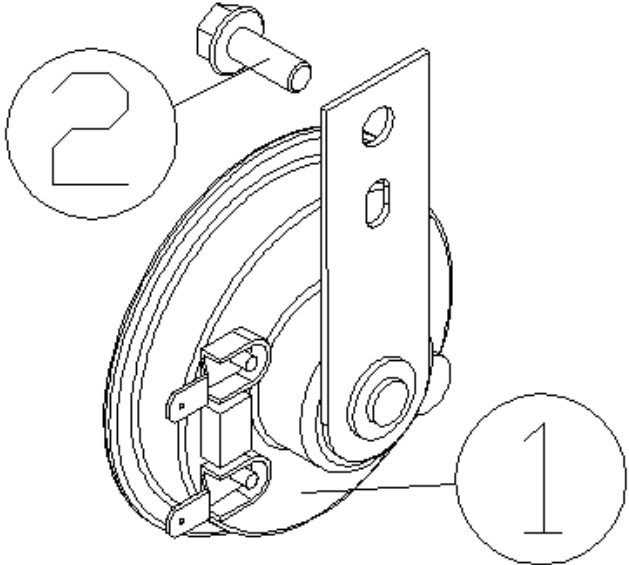
14 JC033704100AA00 Ignition lock

Exploded View	No.	Part Code	Part Name	Quantity
	1	JC033704101AA00	Ignition lock	1
	2	JC033704102AA00	Key	2

15 JC033774100AA00 Combined switch

Exploded View	No.	Part Code	Part Name	Quantity	
	1	JC033774101AA00	Combined switch	1	
	2	Q2140616F60	Cross grooved disc head screw -M6-16	2	

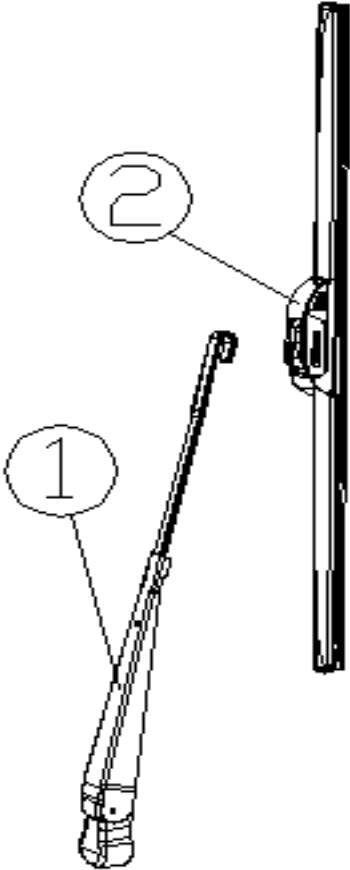
16 JC033721100AA00 Horn

Exploded View	No.	Part Code	Part Name	Quantity
 Exploded view diagram of a horn assembly. Part 1 is the horn, a circular component with a mounting bracket. Part 2 is a hexagonal flange bolt, shown inserted into the horn's mounting hole. Callout circles with the numbers 1 and 2 are positioned next to their respective parts.	1	JC033721101AA00	Horn	1
	2	Q1840616F6	Hexagonal flange bolt -M6-16	1

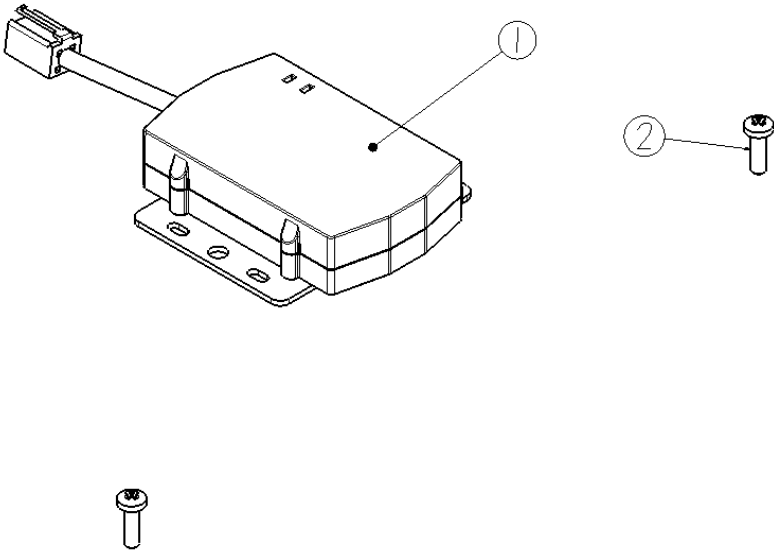
17 JC033741100AA00 Wiper motor

Exploded View	No.	Part Code	Part Name	Quantity
	1	JC033741101AA00	Wiper motor	1
	2	JC033741200AA00	Wiper arm	1

17.1 JC033741200AA00 Wiper arm

Exploded View	No.	Part Code	Part Name	Quantity
	1	JC033741201AA00	Wiper arm	1
	2	JC033741202AA00	Wiper blade	1
	3	Q1840616F60	Hexagonal flange bolt -M6	2

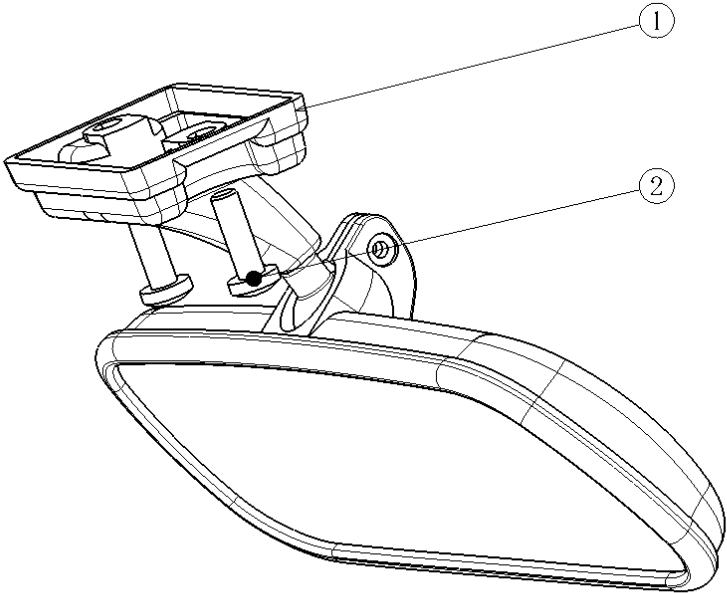
18 JC033820300AA00 Vehicle terminal module

Exploded View	No.	Part Code	Part Name	Quantity	
	1	JC033820301AA00	Vehicle terminal module	1	
	2	Q2140516F60	Cross grooved disc head screw -M5-16	2	

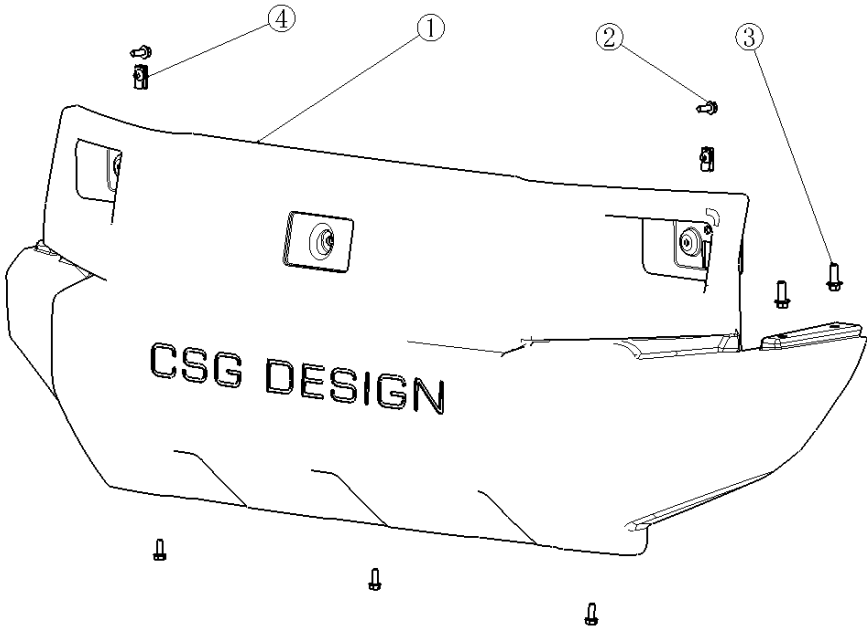
IV Internal And External Accessories System

Exploded View	No.	Part Code	Part Name	Quantity
	1	C332200	Inner rearview mirror	1
	2	C334130	Front bumper	1
	3	JC033102011DA00	wheel hub cover	4
	4	JC033921010DA00	Decorative sign	1
	5	JC035109011DA00	Carpet	1
	6	JC035306010DA00	Instrument panel	1
	7	JC035306020DA00	Air outlet	1
	8	JC035702010DA00	Ceiling	1
	9	JC035810010DA00	Seatbelt	1
	10	JC036102010DA00	Front door interior panel - L	1
	11	JC036102020DA00	Front door interior panel - R	1
	12	JC036302010DA00	Waterproof membrane	1
	13	JC036800010DA00	Main seat	1
	14	JC036800020DA00	Co-pilot seat	1
	15	JC038215010DA00	Roof armrest	1
	16	JC038204010DA00	Sunshade	1
	17	JC038218010DA00	Front container	1

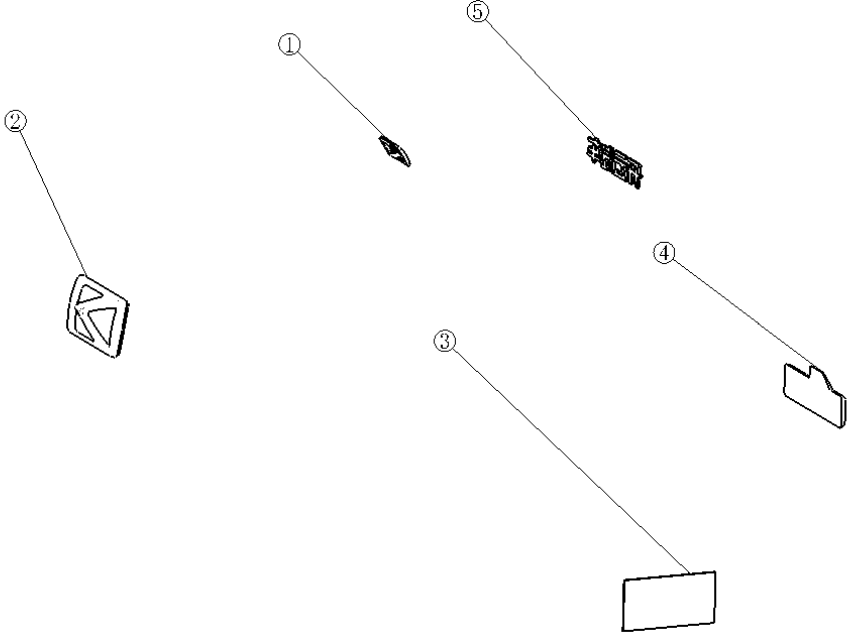
1 C332200 Inner rearview mirror

Exploded View	No.	Part Code	Part Name	Quantity
	1	C332201	Inner rearview mirror body	1
	2	Q2140516F60	Cross grooved disc head screw	2

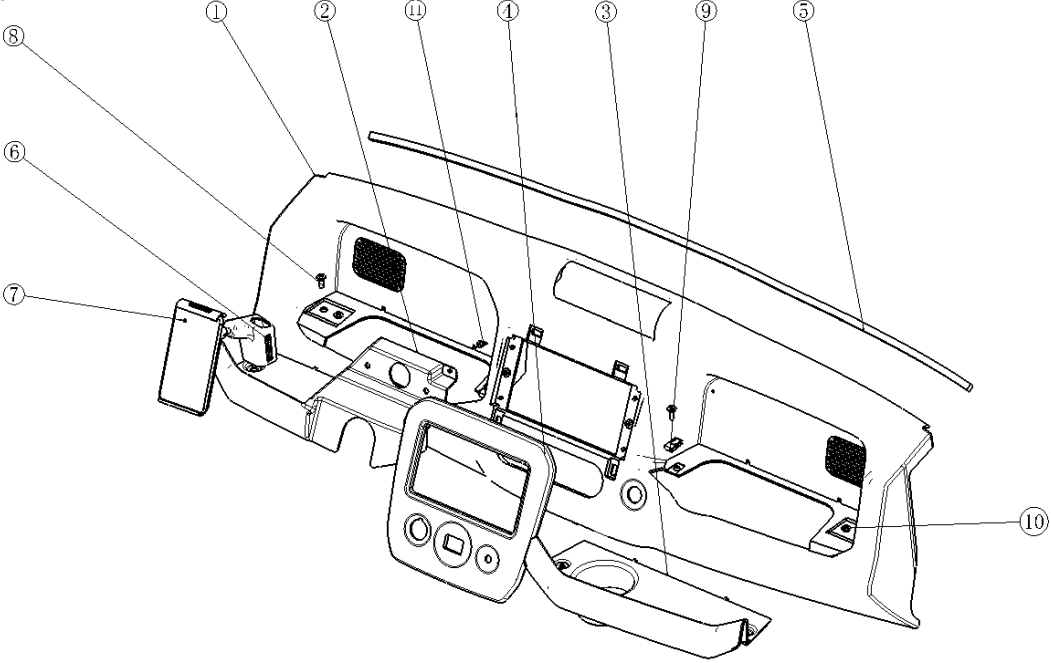
2 C334130 Front bumper

Exploded View	No.	Part Code	Part Name	Quantity
	1	C334131	Front bumper body	1
	2	Q1840616F3	Hexagonal flange bolt -M6-16	5
	3	Q1840820F3	Hexagonal flange bolt M8-20	4
	4	Q31206F3	B-type reed nut M6	2

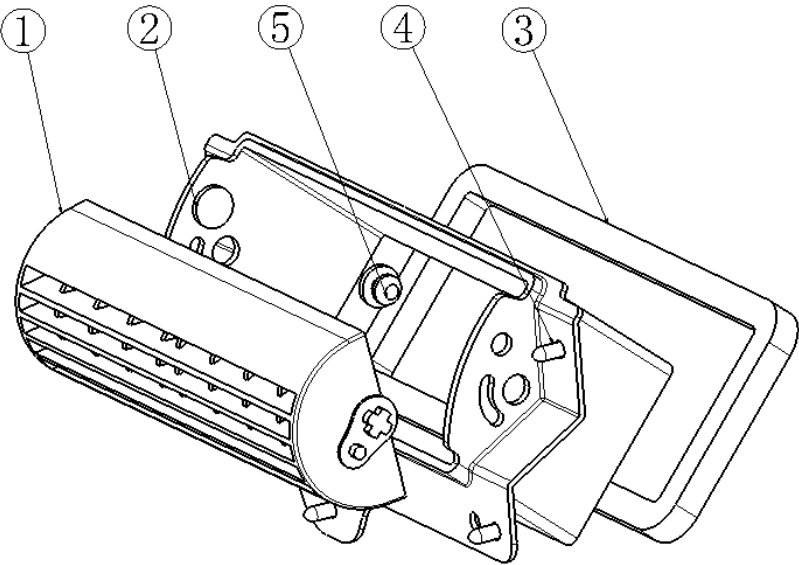
3 JC033921010DA00 Decorative sign

Exploded View	No.	Part Code	Part Name	Quantity
	1	C313230	Steering wheel LOGO	1
	2	C334133	Front bumper LOGO	1
	3	JC033921011DA00	Vehicle identification code plate	1
	4	JC033921012DA00	Kaiyun motor sign	1
	5	JC033921013DA00	Kaiyun motor sign	1

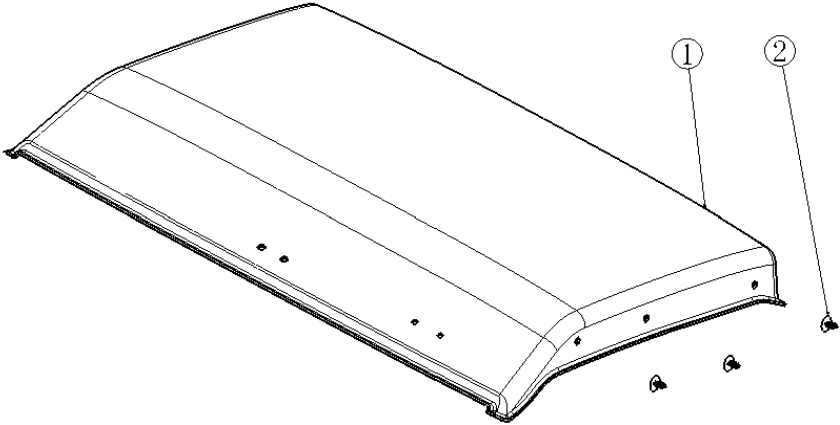
4 JC035306010DA00 Instrument panel

Exploded View	No.	Part Code	Part Name	Quantity
	1	JC035306011DA00	Instrument panel body	1
	2	JC035306012DA00	Left storage box	1
	3	JC035306013DA00	Right left storage box	1
	4	JC035306014DA00	Switch panel	1
	5	JC035306015DA00	Instrument Sponge Strip	1
	6	JC035306016DA00	Mobile phone bracket seat	1
	7	JC035306017DA00	Mobile phone bracket	1
	8	Q2140616F60	Cross grooved disc head screw	5
	9	Q31206F3	B-type reed nut M6	2
	10	Q2714816F60	Self-drilling and self-tapping screw with cross-grooved disc head	1
	11	Q2140616F3	Cross grooved disc head screw	4

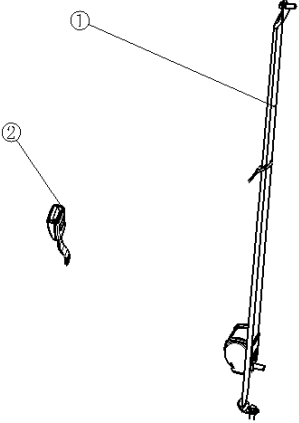
5 JC035306020DA00 Air outlet

Exploded View	No.	Part Code	Part Name	Quantity
	1	JC035306021DA00	Air outlet	1
	2	JC035306022DA00	Air outlet duct	1
	3	JC035306023DA00	Air outlet sponge strip	1
	4	Q2714213F3	Self-drilling and self-tapping screw with cross-grooved disc head	5
	5	JC035306024DA00	Damping rubber block	2

6 JC035702010DA00 Ceiling

Exploded View	No.	Part Code	Part Name	Quantity	
	1	JC035702011DA00	Ceiling body	1	
	2	BLK0466A	Ceiling fastener	4	

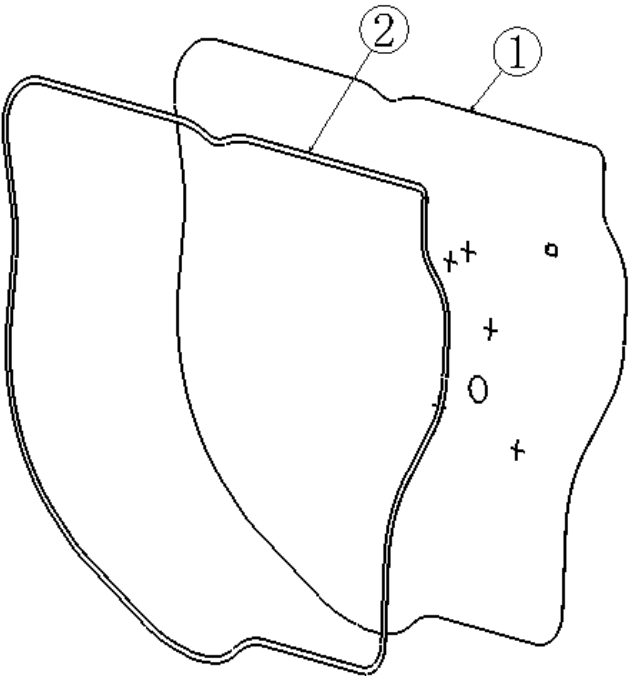
7 JC035810010DA00 Seatbelt

Exploded View	No.	Part Code	Part Name	Quantity	
	1	JC035810011DA00	Seatbelt	1	
	2	JC035810012DA00	Seatbelt buckle	1	

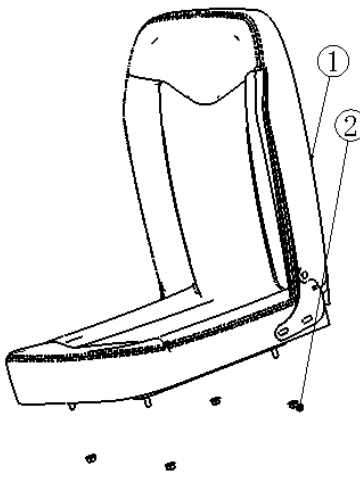
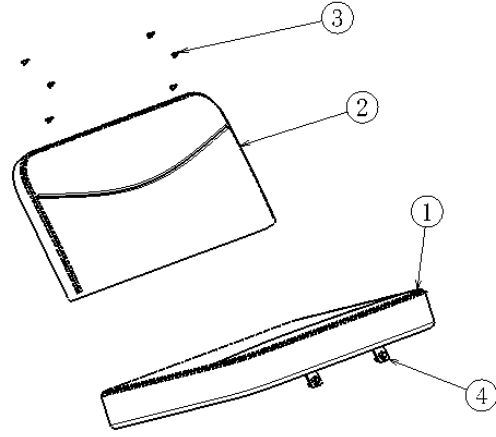
8 JC036102010DA00 Front door interior panel-L

Exploded View	No.	Part Code	Part Name	Quantity
	JC036102010DA00 Front door interior panel - L			
	1	JC036102011DA00	Front door interior panel body - L	1
	2	JC036102012DA00	Front door interior panel handle	1
	3	Q2714816F60	Self-drilling and self-tapping screw with cross-grooved disc head	2
	4	BLK2002A	Female button	8
	JC036102020DA00 Front door interior panel - R			
	1	JC036102021DA00	Front door interior panel body - R	1
	2	JC036102012DA00	Front door interior panel handle	1
	3	Q2714816F60	Self-drilling and self-tapping screw with cross-grooved disc head	2
	4	BLK2002A	Female button	8

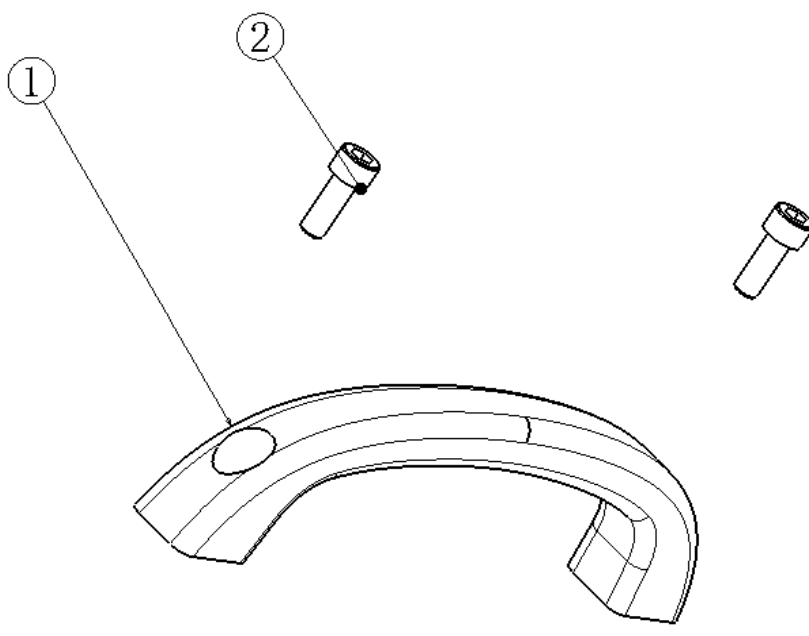
9 JC036302010DA00 Waterproof membrane

Exploded View	No.	Part Code	Part Name	Quantity
	1	JC036302011DA00	Waterproof membrane	2
	2	JC036302012DA00	Waterproof film adhesive	2

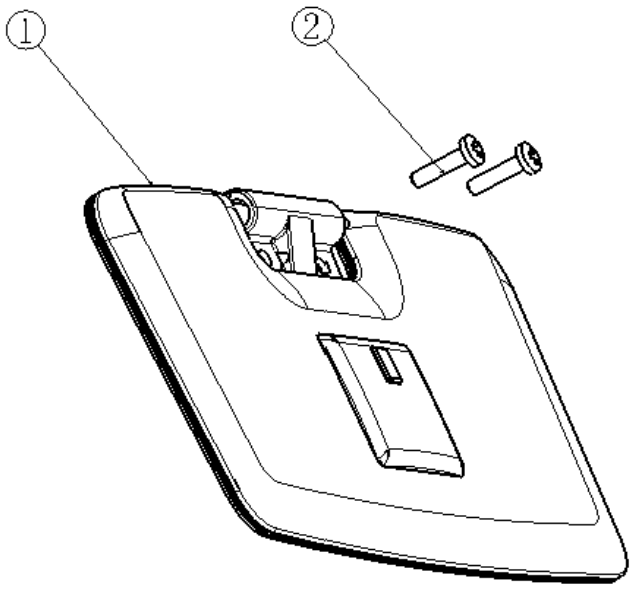
10 JC036800010DA00 Main seat

Exploded View		No.	Part Code	Part Name	Quantity
<div data-bbox="174 518 705 622" style="border: 1px solid black; padding: 5px;"> JC036800010DA00 Main seat </div> 	<div data-bbox="734 518 1265 622" style="border: 1px solid black; padding: 5px;"> JC036800020DA00 Co-pilot seat </div> 	JC036800010DA00 Main seat			
		1	6800011DA00	Main seat body	1
		2	Q32008F3	Hexagon flange nut-M8	4
		JC036800020DA00 Co-pilot seat			
		1	JC036800021DA00	Co-driver seat cushion	1
		2	JC036800022DA00	Copilot seat backrest	1
		3	Q2714816F3	Self-drilling and self-tapping screw with cross-grooved disc head	6
		4	Q1840820F3	Hexagonal flange bolt -M8	2

11 JC038215010DA00 Roof armrest

Exploded View	No.	Part Code	Part Name	Quantity	
	1	JC038215011DA00	Roof armrest body	1	
	2	Q218B06160	Inside hexagonal cylindrical head screw	2	

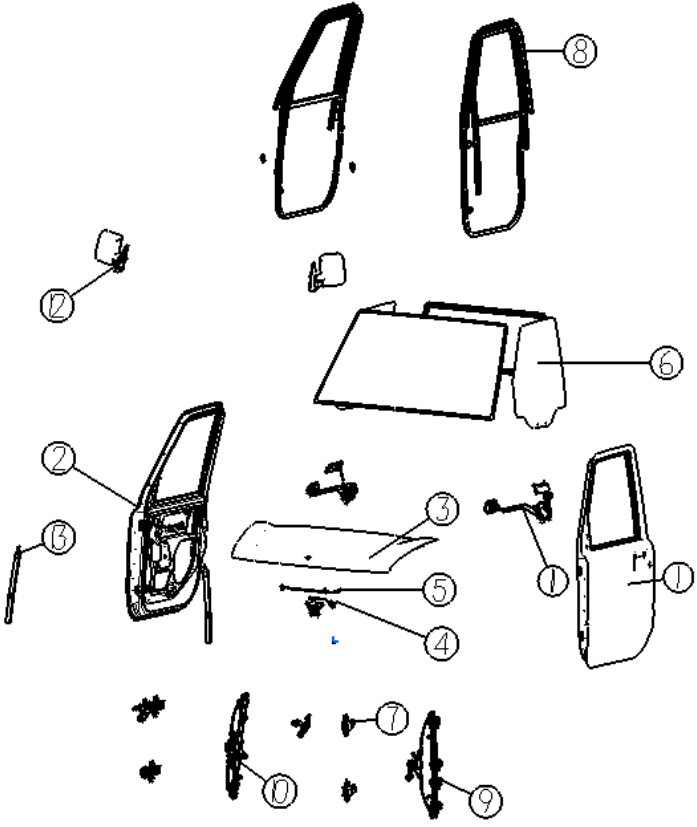
12 JC038204010DA00 Sunshade

Exploded View	No.	Part Code	Part Name	Quantity
	1	JC038204011DA00	Sunshade body	1
	2	Q2140625F60	Cross grooved disc head screw	2

13 JC038218010DA00 Front container

Exploded View	No.	Part Code	Part Name	Quantity
	1	JC038218011DA00	Front container body	1
	2	JC038218012DA00	Buffer block	2
	3	JC038218013DA00	Brake fluid filling cover	2
	4	Q2140616F3	Cross grooved disc head screw	2
	5	BLK0066A	Square plastic nut seat	4
	6	Q2714816F3	Self-drilling and self-tapping screw with cross-grooved disc head	4

V Doors and Hoods System

Exploded View	No.	Part Code	Part Name	Quantity
	1	JC036101100AA00	Left door welding	1
	2	JC036101200AA00	Right door welding	1
	3	JC038402110AA00	Front cover welding	1
	4	JC038402210AA00	Front cover accessory	1
	5	JC038402220AA00	Front cover lock	1
	6	JC038402230AA00	Front cover support rod	1
	7	JC036103010AA00	Glass	1
	8	JC036101010AA00	Door accessory	1
	9	JC036106110AA00	Hinge	1
	10	JC036107010AA00	Sealant strip	1
	11	JC036104010AA00	Left door manual lift	1
	12	JC036104020AA00	Right door manual lift	1
	13	JC036105010DA00	Door lock	1
	14	JC038202200DA00	Outer rearview mirror	1
	15	JC0361011150AA00	guide rail	1

1 JC038402220AA00 Front trunk hood lock

Exploded View	No.	Part Code	Part Name	Quantity
	1	JC038402211AA00	Front trunk hood lock	1
	2	Q1840616F60	Hexagonal flange bolt -M6*16	2
	3	JC038402227AA00	Front trunk hood lock rod	1
	4	JC038402223AA00	Front trunk hood lock	1
	5	Q2540820F60	Cross grooved countersunk head screw -M8*20	2
	6	JC036105035DA00	Handle lock core	1
	7	JC036105055DA00	Lock Installation Card	1

2 JC038402230AA00 Front trunk hood support rod

Exploded View	No.	Part Code	Part Name	Quantity
	1	JC038402215AA00	Front trunk hood support rod	1
	2	JC038402218AA00	Clasp 1	1
	3	JC038402219AA00	Pipe clamp	1
	4	Q1840616F60	Hexagonal flange bolt -M6*16	1

3 JC036103010AA00 Glass

Exploded View	No.	Part Code	Part Name	Quantity
	1	JC036103101AA00	Left door glass	1
	2	JC036103102AA00	Right door glass	1
	3	JC036103103AA00	Rear windshield	1
	4	JC036103104AA00	Front windshield	1

4 JC036106110AA00 Hinge

Exploded View	No.	Part Code	Part Name	Quantity
	1	JC036106111AA00	Door hinge	4
	2	Q40208F3	Large washer -M8	16
	3	Q1840820F3	Hexagonal flange bolt -M8*20	16
	4	JC038402212AA00	Front cover left hinge	1
	5	Q1840616F3	Hexagonal flange bolt -M6*16	4
	6	Q40206F3	Large washer -M6	4
	7	JC038402213AA00	Front cover right hinge	1
	8	Q1840616F3	Hexagonal flange bolt -M6*16	4
	9	Q40206F3	Large washer -M6	4

5 JC036107010AA00 Sealant strip

Exploded View	No.	Part Code	Part Name	Quantity
	1	JC036107001AA00	Left door sealant strip	1
	2	JC036107002AA00	Right door sealant strip	1
	3	JC036107003AA00	Left door seam sealing tape	1
	4	JC036107004AA00	Right door seam sealing tape	1
	5	JC036107011AA00	Water cutting outside left door	1
	6	JC036107012AA00	Water cutting outside right door	1
	7	JC036107021AA00	Water cutting inside left door	1
	8	JC036107022AA00	Water cutting inside right door	1
	9	JC036107031AA00	Left door glass groove	1
	10	JC036107032AA00	Right door glass groove	1
	11	JC036107035AA00	Door plugging	4
	12	JC036107214AA00	Front cover buffer block	2

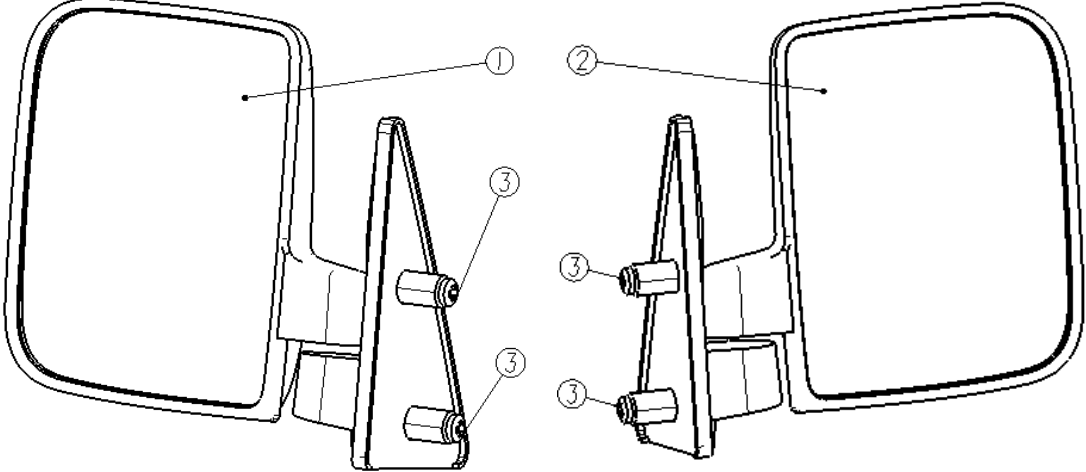
6 JC036104010AA00 Left door manual lift

Exploded View	No.	Part Code	Part Name	Quantity	
	JC036104010AA00 Left door manual lift				
	1	JC036104111AA00	Left door manual lift	1	
	2	JC036104115AA00	Glass lift rocker handle	1	
	3	JC036104113AA00	Glass fastener	2	
	4	Q33006F6	Hexagon flange nut-M6	7	
	5	Q270636F6	Hexagonal flange face tapping screw -M6	2	
	JC036104020AA00 Right door manual lift				
	1	JC036104112AA00	Right door manual lift	1	
	2	JC036104115AA00	Glass lift rocker handle	1	
	3	JC036104113AA00	Glass fastener	2	
	4	Q33006F6	Hexagon flange nut-M6	7	
	5	Q270636F6	Hexagonal flange face tapping screw -M6	2	

7 JC036105010DA00 Door lock

Exploded View	No	Part Code	Part Name	Quantity
	1	JC036105101DA00	Left door lock body	1
	2	JC036105021DA00	Hand-in-hand outside the left door	1
	3	JC036105031DA00	Left door inner clasp	1
	4	JC036105041DA00	Left door inner clasp handle 1	1
	5	JC036105043DA00	Left door inner clasp handle 2	1
	6	JC036105045DA00	Left door lock core pull rod	1
	7	JC036105047DA00	Left door handle pull rod	1
	8	JC036105102DA00	Right door lock body	1
	9	JC036105022DA00	Hand-in-hand outside the Right door	1
	10	JC036105032DA00	Right door inner clasp	1
	11	JC036105042DA00	Right door inner clasp handle 1	1
	12	JC036105044DA00	Right door inner clasp handle 2	1
	13	JC036105048DA00	Right door lock core pull rod	1
	14	JC036105701DA00	Door lock catch	2
	15	Q2540820F60	Cross grooved countersunk head screw-M8-20	4
	16	Q32006F6	Hexagonal flange nut-M6	4
	17	Q2150616F60	Hexalobular socket pan head screw	6
	18	Q2714816F60	Cross head self-tapping nail-C type	2
	19	JC036105035DA00	Handle lock core	1
	20	JC036105055DA00	Lock Installation Card	1
	21	BLK0066A	Expansion button	6

8 JC038202200DA00 Outer rearview mirror

Exploded View	No.	Part Code	Part Name	Quantity
	1	JC038202101DA00	Outer rearview mirror -L	1
	2	JC038202202DA00	Outer rearview mirror -R	1
	3	Q2140616F60	Cross grooved disc head screw	4

9 JC036101150AA00 Guide rail

Exploded View	No.	Part Code	Part Name	Quantity
	1	JC036101403AA00	Door guide-L	1
	2	JC036101404AA00	Door guide-R	1
	3	Q2140616F6	Cross grooved disc head screw	2